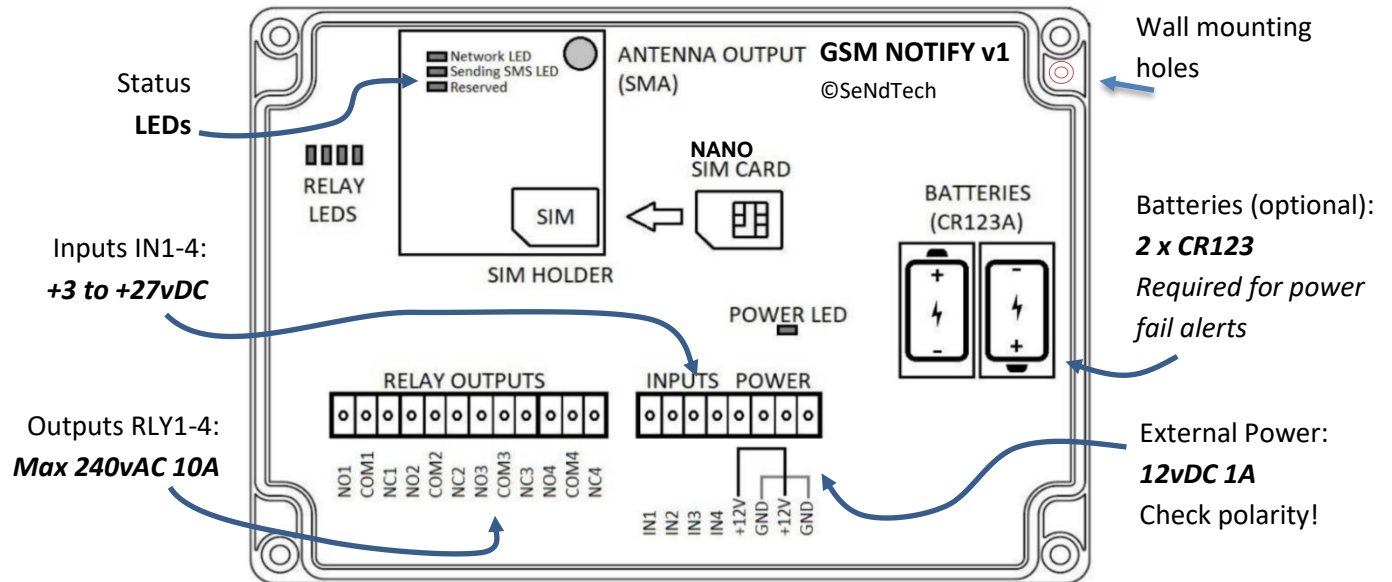


### Step 1: SIM Card and Antenna

Grab a registered Nano size SIM card and make sure it has credit. Make a note of the phone number as you will need to configure the GSM Notify. There is a shiny new SIM in the box in case you need one. Unscrew the lid and screw on the antenna. If you are mounting the unit in a metal enclosure or a weak signal area, ask us about external antenna options. Slide in the SIM card and connect the external 12vDC power supply.

### Step 2: Power, batteries and connecting to your devices



If your trigger devices are volt free – e.g. a push switch or reed switch then you can use the onboard +12vDC to supply your switch and then feed this back to the desired input channel. If your trigger device supplies a voltage (between +3 and +27vDC) then ensure the external triggers ground or -ve is tied to the GND (ground) terminal of the GSM Notify to complete the circuit.

### Step 3: Are we ready to configure the GSM Notify?

To configure your device, first make sure the red power LED is ON. Then check for the network LED. It will blink quickly while it is registering to the network, then slowly when it's connected and ready to go.

### Step 4: Configuration by sending SMS messages to the number of the SIM in the GSM Notify

Send SMS commands in the format shown below to add recipients, change the alert messages and many more settings as shown in the full command table overleaf.

Format: **PASSWORD[space]COMMAND:COMMAND**

Examples:

**1111 PASS:1234** - Changes password to 1234 (remember this if you change it!)

**1111 ADDA:+44781234567** - Adds this number as an admin (who can change everything!)

**1111 ADDU:+44791334455** - Adds a User who can control the relay outputs

**1111 PAT1:Water Level Low#** - Customises the message that will be sent when IN1 closes

**1111 PAT8:Water Level OK#** - Customises the message that will be sent when IN1 opens (change the numeral to 2 and 9 for IN2 close and open message, to 3 and 10 for IN3 etc..)

**1111 RLY1:ON** - Turn Relay Output 1 ON

**1111 STATUS** - Get a full Status SMS (I/O state, Signal 0-31, etc)

If a sent command SMS is correct you will receive a reply: **Process Succeed**

These are just examples – GSM Notify can be fully configured using the same format shown in the example as per the commands in the table below:

## Full SMS Command Table

Description	COMMAND	Default	Range	Who can alter
Change Password	<b>PASS:xxxx</b>	1111	0000..9999	ADMIN
Add Admin (Up to 8 can be added)	<b>ADDA:xxxxxxxxxx</b>			ADMIN
Add User (Up to 20 can be added)	<b>ADDU:xxxxxxxxxx</b>			ADMIN
Delete Admin	<b>DELA:xxxxxxxxxx</b>			ADMIN
Delete User	<b>DELU:xxxxxxxxxx</b>			ADMIN
Alert Calls Activate (Unit will RING as well as send the SMS)	<b>CALL:ON</b>	OFF		ADMIN
Alert Calls Deactivate	<b>CALL:OFF</b>	OFF		ADMIN
Select MOD1 and Trigger Time(x) (Relay 1 will pulse for x seconds when an ADMIN or USER calls the unit)	<b>MOD1:x</b>	MOD1:2	1..99 secs	ADMIN
Select MOD2 (Relays can be turned ON or OFF by when an ADMIN or USER calls the unit)	<b>MOD2</b>	MOD1:2		ADMIN
Change SMS Text Messages (Customise the SMS message that will be sent when Inputs are closed/opened) Note change x to 1 -4 or 9-12 end with #	<b>PATx:yyyyyyyy#</b>		1..32 chars	ADMIN
Set Input nr(x) Low-to-High Delay (Activation delay – The input has to be CLOSED for y seconds before a message is sent)	<b>INPHx:y</b>	0	0..99 secs	ADMIN
Set Input nr(x) High-to-Low Delay (Activation delay – The input has to be OPENED for y seconds before a message is sent)	<b>INPLx:y</b>	0	0..99 secs	ADMIN
Periodic Keep Alive (Heartbeat) SMS Message (set the interval hours x between periodic keep alive SMS message being sent)	<b>KA:x</b>	0 (off)	0...999 hrs	ADMIN
Get Device Status Info	<b>STATUS</b>			ADMIN
Restore Factory Settings	<b>RESET</b>			ADMIN
Activate Relay nr(x) (Change x to the relay number you wish to activate)	<b>RLYx:ON</b>			ADMIN & USER
Deactivate Relay nr(x) (Change x to the relay number you wish to deactivate)	<b>RLYx:OFF</b>			ADMIN & USER
Time-based Activate Relay nr(x) for (y) secs	<b>RLYx:y</b>		0..99 secs	ADMIN & USER

Refit the cover back on the device after you've got a confirmation SMS that the commands have been saved and you're good to go! SeNd Technology have 20 years' experience so if you have any questions or need any help just get in touch. [www.sendtech.co.uk](http://www.sendtech.co.uk) or call 01488 762 763