



# GSM NOTIFY

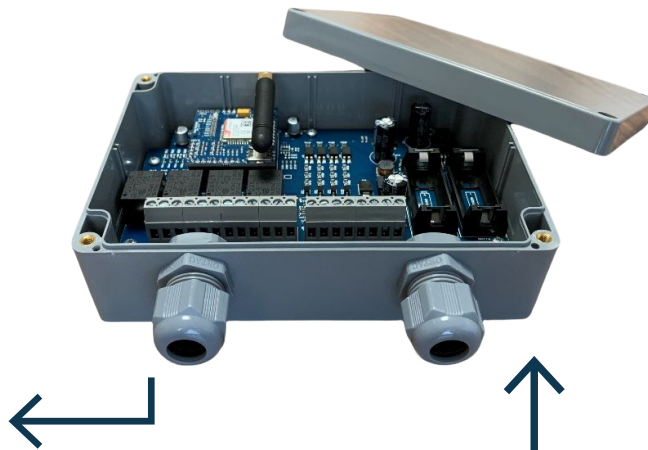
## INTRODUCTION

*GSM Notify is a compact SMS alerting and control device ideal for monitoring any unmanned or remote machine, security alarm panel, process or simple switching device.*

*It will send periodic status messages, alongside controlling your remote devices via SMS, free phone call and touch tone phone control.*

*You can receive instant status messages, set configurable SMS text alerts, configurable input delays, user defined heartbeat periods, enable, and disable alarm calls, add/delete admins & users via SMS, select a relay activation method. The clever little device has LED indicators, a replaceable antenna, and batteries, all housed in an IP67 water & dust protected industrial enclosure.*

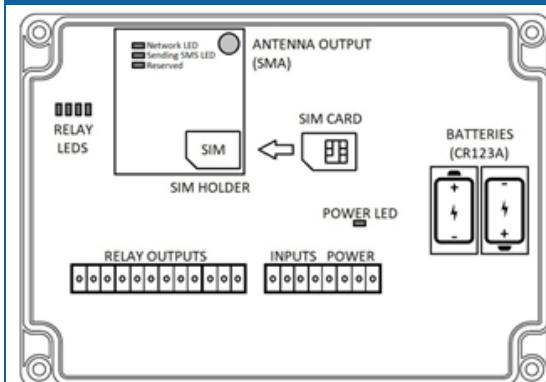
**ENSURE YOU KNOW WHAT IS HAPPENING ON YOUR SITES AND REACT BEFORE EXPENSIVE DAMAGE HAPPENS**



**MULTI MACHINE USE**

## SPECIFICATION

- 4 Digital Inputs
- 4 230VAC 10A rated relay outputs
- Customisable SMS Alerts
- 8 admin users and 20 users that can receive and control the unit remotely
- External Power: 12vDC 1A
- Batteries in case of power failure on site
- Input delay on trigger, up to 99 seconds



**PLEASE CALL OR EMAIL  
SALES@SENDTECH.CO.UK  
FOR PRICES**

**SEND HAS A NUMBER OF BESPOKE SMART MONITORING DEVICES AND ANTENNA OPTIONS. PLEASE LET US KNOW IF YOU'D LIKE A FULL PRODUCT LIST**